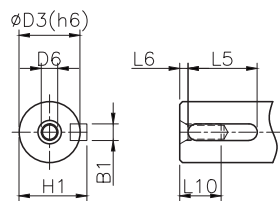
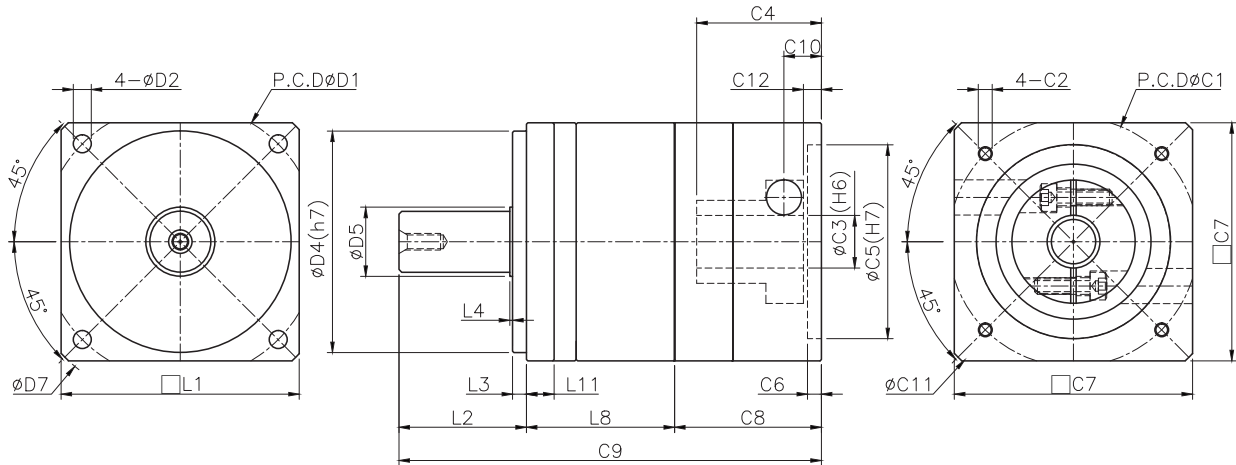
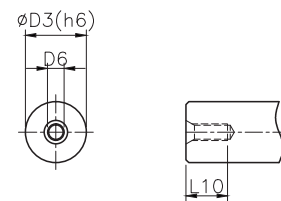


尺寸圖 DRAWING & DEMENSION



Shaft Option 1(K)



Shaft Option 2(S)

(單位 : mm)
(Unit : mm)

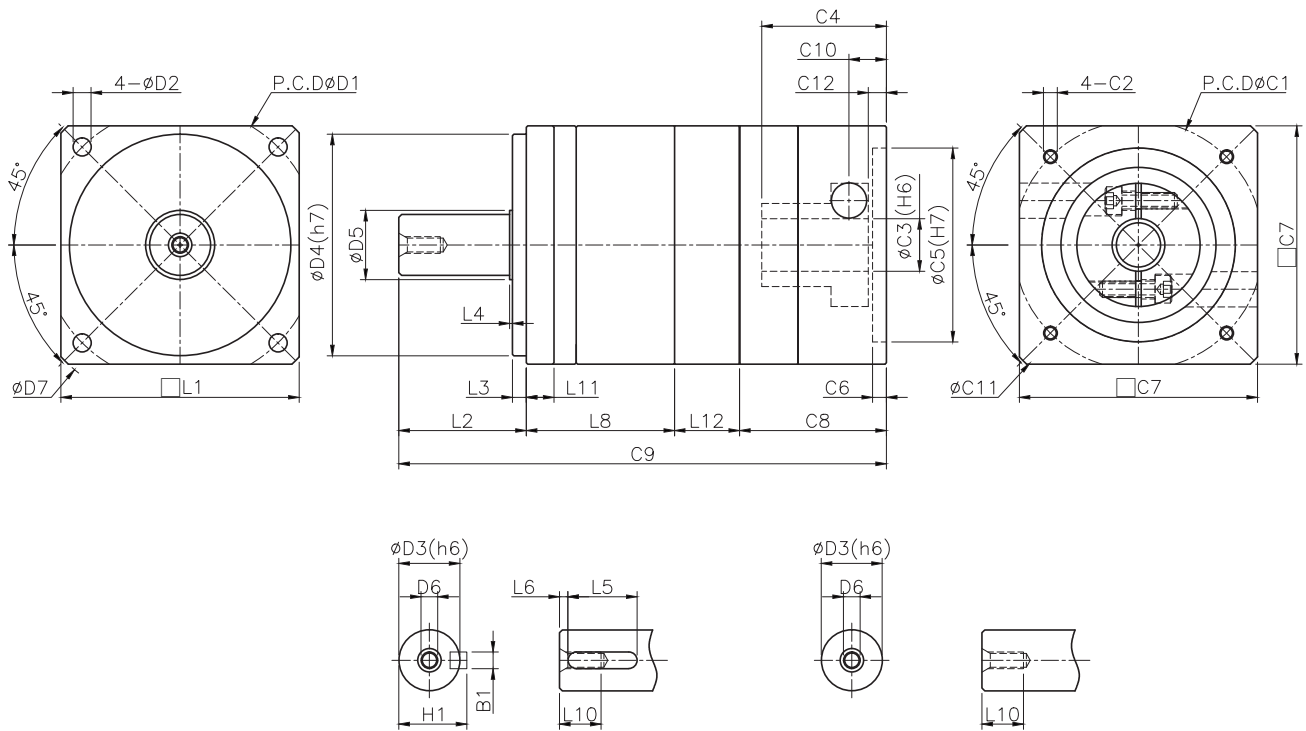
尺寸Size	MF40X-L1	MF60X-L1	MF90X-L1	MF120X-L1	MF150X-L1	MF180X-L1	MF220X-L1
D1	50	70	100	145(130)	165	215	250
D2	3.5	5.5	6.5	8.8	11	13	17
D3	13	16	22	32	38(40)	50(55)	75
D4	35	50	80	110	130	160	180
D5	15	17	25	35	40(45)	60	80
D6	M4×0.7P	M5×0.8P	M6×1.0P	M8×1.25P	M12×1.75P	M12×1.75P(M20×2.5P)	M20×2.5P
D7	60	80	118	160	190	245	292
L1	46	62	86	120	142	182	220
L2	26	33	46	69.5	75	95	123
L3	5.5	5	5	10	4	10	15
L4	1	1.5	1	0.5	3	2	3
L5	15	20	25	40	45	70	90
L6	2	3	3	3	5	6	7
L8	33	43	53.5	70.5	90	95.5	123.5
L10	8	12	15	20	32	42	52
L11	9.5	10	10	15	15	15	20
C1	46	70	90	145	200	200	235
C2	M4x0.7P(MAX)	M5x0.8P(MAX)	M8x1.0P(MAX)	M8x1.25P(MAX)	M12x1.75P(MAX)	M12x1.75P(MAX)	M12x1.75P(MAX)
C3	5-8	6-14	14-19	16-24	19-42	19-42	35-55
C4	26	31	41	66	88	85	128
C5	30	50	70	110	114.3	114.3	200
C6	4	3.5	5	7	6	7	10
C7	46	62	86	120	176	182	220
C8	32.5	37	49.5	77	98	100	148
C9	91.5	113	149	217	263	290.5	394.5
C10	11	12	15	28.5	47	33.5	44
C11	60	80	118	160	240	240	292
C12	6	6	7	20	35	17	27.5
B1	4	5	6	10	10(12)	14(16)	20
H1	14.5	18	24.5	35	41(43)	53.5(59)	79.5

* 註 : C1-C6 為標準品最大尺寸，為公制標準馬達連接板尺寸，尺寸依搭配的馬達而改變。如超出尺寸屬特殊規格請與我司聯絡。

* Note : C1-C6 are metric standard specific dimensions of motor. Please contact us at vgm@vgmgear.com for other specification or customize product.

尺寸圖

DRAWING & DEMENSION



Shaft Option 1 (K)

Shaft Option 2 (S)

(單位：mm)
(Unit：mm)

尺寸Size	MF40X-L2	MF60X-L2	MF90X-L2	MF120X-L2	MF150X-L2	MF180X-L2	MF220X-L2
D1	50	70	100	145(130)	165	215	250
D2	3.5	5.5	6.5	8.8	11	13	17
D3	13	16	22	32	38(40)	50(55)	75
D4	35	50	80	110	130	160	180
D5	15	17	25	35	40(45)	60	80
D6	M4×0.7P	M5×0.8P	M6×1.0P	M8×1.25P	M12×1.75P	M12×1.75P(M20×2.5P)	M20×2.5P
D7	60	80	118	160	190	245	292
L1	46	62	86	120	142	182	220
L2	26	33	46	69.5	75	95	123
L3	5.5	5	5	10	4	10	15
L4	1	1.5	1	0.5	3	2	3
L5	15	20	25	40	45	70	90
L6	2	3	3	3	5	6	7
L8	33	43	53.5	70.5	90	95.5	123.5
L10	8	12	15	20	32	42	52
L11	9.5	10	10	15	15	15	20
L12	19	16	23.5	27.2	46	51.5	56.5
C1	46	70	90	145	200	200	235
C2	M4x0.7P(MAX)	M5x0.8P(MAX)	M6x1.0P(MAX)	M8x1.25P(MAX)	M8x1.75P(MAX)	M12x1.75P(MAX)	M12x1.75P(MAX)
C3	5-8	6-14	14-19	16-24	19-42	19-42	35-55
C4	26	31	41	66	88	85	128
C5	30	50	70	110	114.3	114.3	200
C6	4	3.5	5	7	6	7	10
C7	46	62	86	120	176	182	220
C8	32.5	37	49.5	77	98	100	148
C9	110.5	129	172.5	244.2	309	342	451
C10	11	12	15	28.5	47	33.5	44
C11	60	80	118	160	240	240	292
C12	6	6	7	20	35	17	27.5
B1	4	5	6	10	10(12)	14(16)	20
H1	14.5	18	24.5	35	41(43)	53.5(59)	79.5

* 註：C1-C6 為標準品最大尺寸，為公制標準馬達連接板尺寸，尺寸依搭配的馬達而改變。如超出尺寸屬特殊規格請與我司聯絡。

* Note: C1-C6 are metric standard specific dimensions of motor. Please contact us at vgm@vgmgear.com for other specification or customize product.