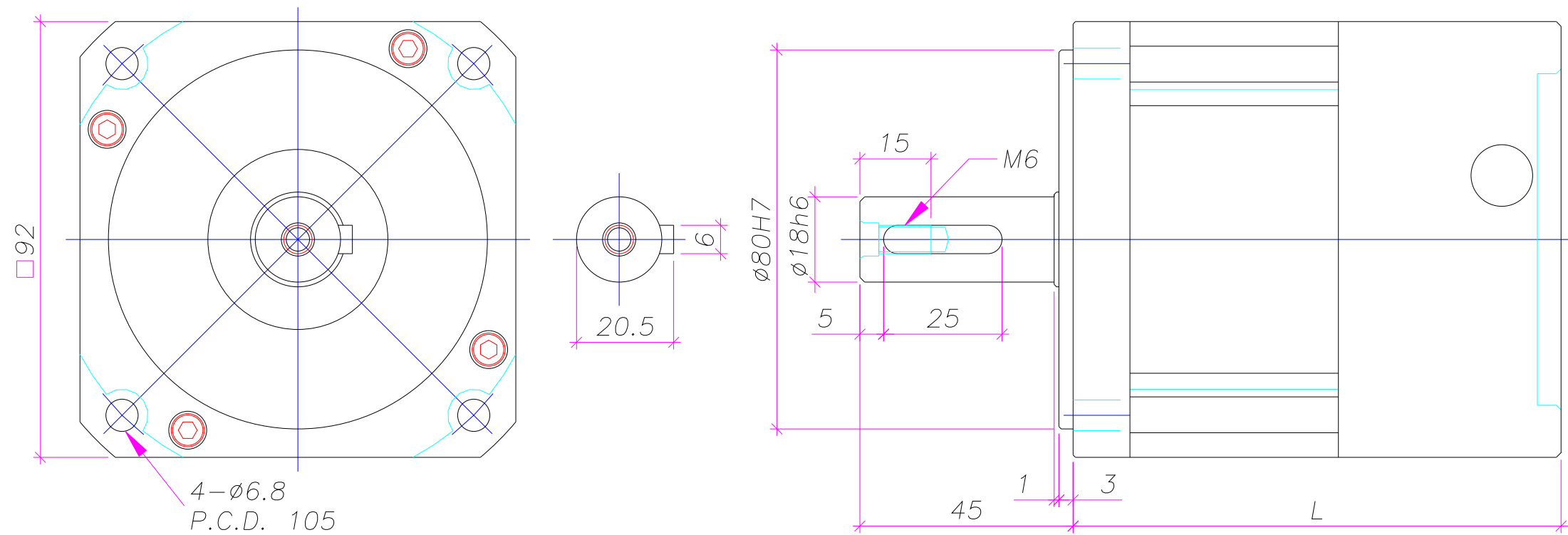


$L1 = 118$ $L2 = 146$ $L3 = 174$



$L1=103 \quad L2=131 \quad L3=159$